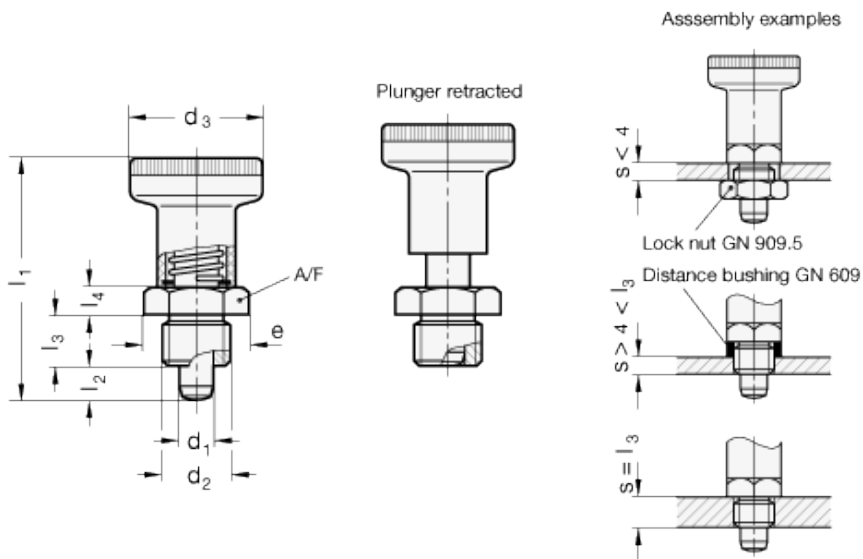


GN 607

Indexing plungers



technical informations

Threaded body
Black-oxide steel.

Plunger

Black-oxide steel with hardened end. Suggested matching hole in H7 tolerance.

Locking nut

Black-oxide steel.

"Push/Pull" knurled knob

High resilience polyamide based (PA) technopolymer, black colour, matte finish. Resistant to solvents, oils, greases and other chemical agents.

Standard executions available

- Version A: with knob, without locking nut.
- Version AK: with knob and locking nut, ISO 8675.

Accessories on request (For sufficient quantities)

GN 609 black-oxide steel distance bushings are available for making up for the length of threading in case the plunger is assembled on thin sheets.

Applications

GN 607 indexing plungers have compact dimensions and are used on thin metal sheets.

Standard Elements	Main dimensions								Spring pressure in N \approx		Axial holding force in N	Weight in g		
	Description	d ₁ -0.02/-0.04	d ₂	d ₃	e	l ₁	l ₂ min.	l ₃ -0.15	l ₄	A/F			Preload	Max. load
GN 607-6-A-ST	6	M12x1.5	25	19.6	45	6	10	5	17		7	8.5	400	34
GN 607-8-A-ST	8	M16x1.5	31	21.9	54	8	12	6	19		14	15.5	500	60
GN 607-6-AK-ST	6	M12x1.5	25	19.6	45	6	10	5	17		7	8.5	400	43
GN 607-8-AK-ST	8	M16x1.5	31	21.9	54	8	12	6	19		14	15.5	500	76



ELESA and GANTER models all rights reserved in accordance with the law. Always mention the source when reproducing our drawings.

STANDARD MACHINE ELEMENTS WORLDWIDE